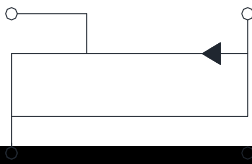


UL recognition, file #E230084  
Universal 3-way terminals snap-on wire wrap-around or PCB mounting  
Glass passivated chip junction  
High surge current capability  
Low thermal resistance  
Solder dip 275 °C max. 7 s, per JESD 22-B106

General purpose use in AC/DC bridge full wave rectification for power supply, home appliances, office equipment, industrial automation applications.



: S25VB

Molding compound meets UL 94 V-0 flammability rating, RoHS-compliant



$T_a=25$  Unless otherwise specified

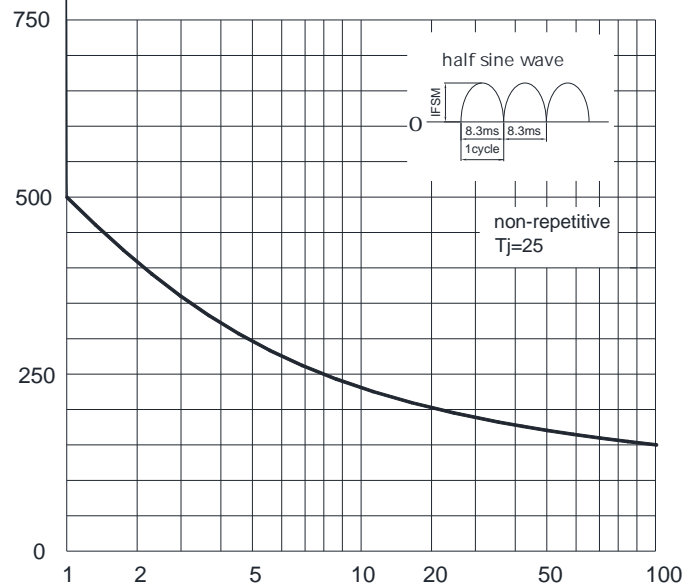
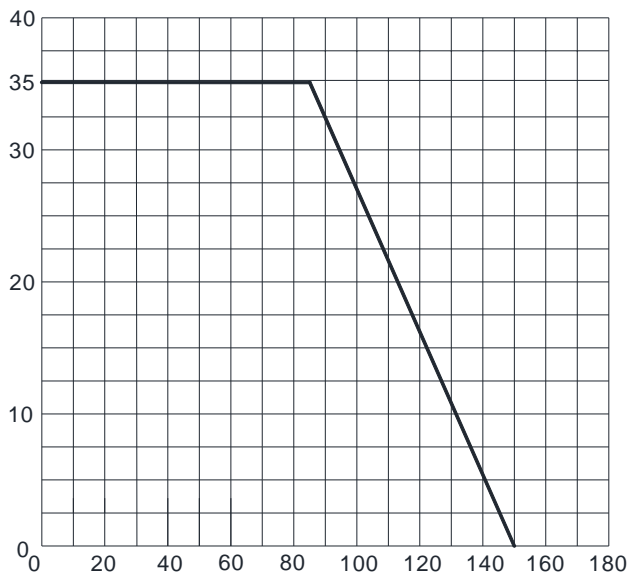
Maximum instantaneous forward voltage drop per diode	VF	V	IFM=17.5A	1.0
Maximum DC reverse current at rated DC blocking voltage per diode	IR	$\mu$ A	$T_j=25$	5
			$T_j=125$	100
Typical junction capacitance	Cj	pF	Measured at 1MHz and Applied Reverse Voltage of 4.0 V.D.C	190

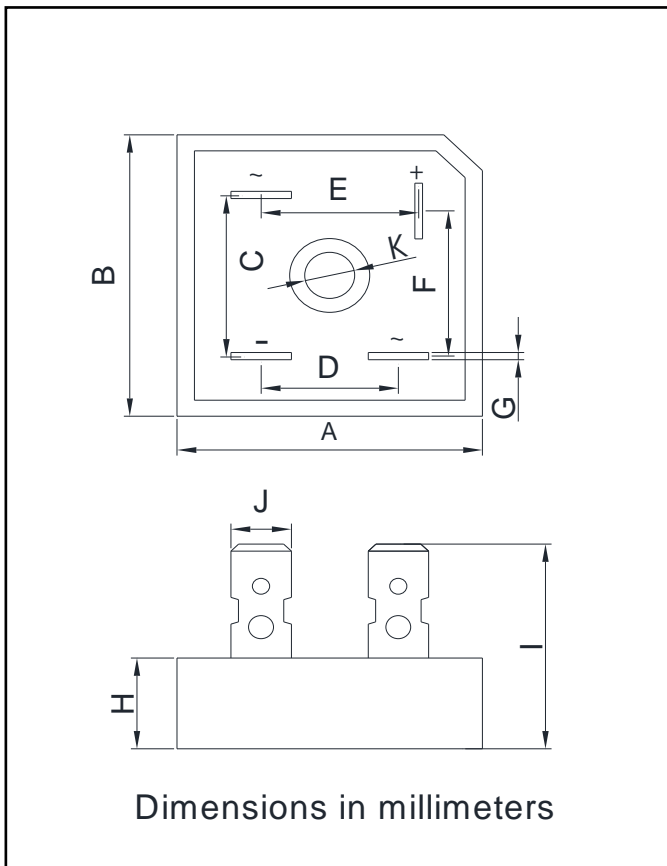
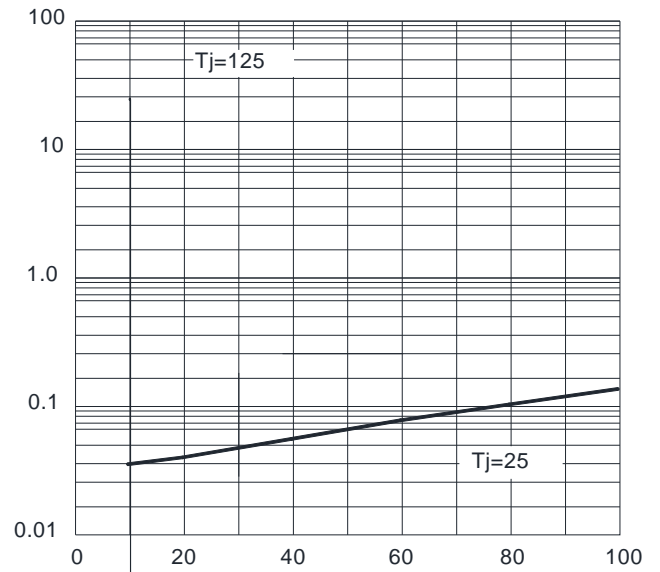
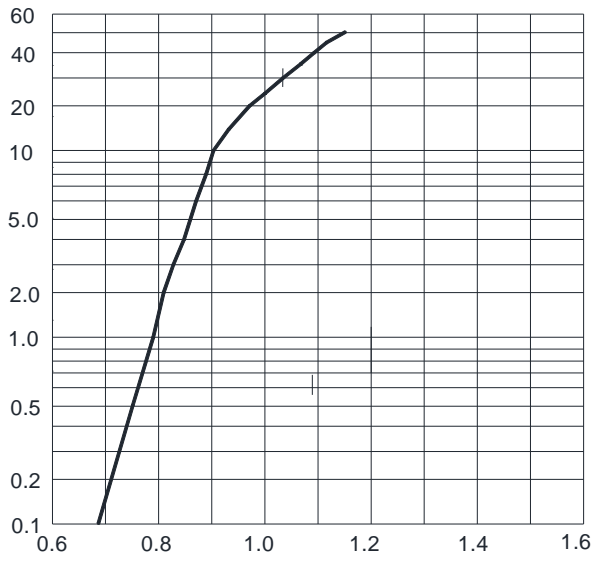
$T_a=25$  Unless otherwise specified

Thermal Resistance	Between junction and case, With heatsink	R J-C	/W	1.0
--------------------	------------------------------------------	-------	----	-----

Note: Device mounted on 75mm x 45mm x 5.5mm Aluminum Plate Heatsink.

S35VB10 ~ S35VB120	A1	Approximate 20	50	50	500	Paper Box
--------------------	----	----------------	----	----	-----	-----------





A	31.1	32.1
B	31.1	32.1
C	17.6	18.6
D	13.7	14.7
E	15.8	16.8
F	15.8	16.8
G	0.75	0.85
H	9.5	10.5
I	/	25
J	6.2	6.4
K	4.5	5.5



The information presented in this document is for reference only. Yangzhou Yangjie Electronic Technology Co., Ltd. reserves the right to make changes without notice for the specification of the products displayed herein to improve reliability, function or design or otherwise.

The product listed herein is designed to be used with ordinary electronic equipment or devices, and not designed to be used with equipment or devices which require high level of reliability and the malfunction of which would directly endanger human life (such as medical instruments, transportation equipment, aerospace machinery, nuclear-reactor controllers, fuel controllers and other safety devices), Yangjie or anyone on its behalf, assumes no responsibility or liability for any damages resulting from such improper use of sale.

This publication supersedes & replaces all information previously supplied. For additional information, please visit our website [http:// www.21yangjie.com](http://www.21yangjie.com) , or consult your nearest Yangjie's sales office for further assistance.